

**DOOR LOCKS**



*Helps prevent forced entry  
Prevents children from leaving  
unattended*

- DGDG01-AB Door Lock
- DGDG01-B Door Lock
- DGDG01-SC Door Lock
- DGDG01-SN Door Lock
- DGPDG01-W Patio Door Lock

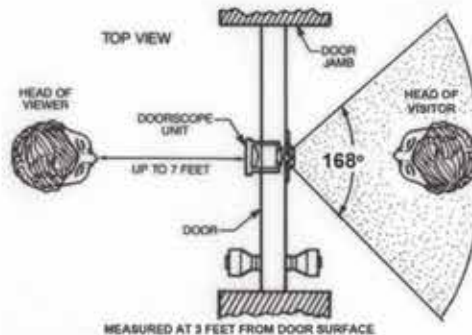


**DOOR SCOPE**

**DOOR SCOPE**

**WHAT IS DOOR SCOPE?**

*A revolutionary patented product which virtually eliminates the conventional Peephole. With Door Scope, you don't have to approach the door nor strain to see visitors through the peephole any more, because you receive sharp clear image of the outside visitor up to seven feet away from inside your door.*



**FEATURES**

- + Provides 168 degree wide- angle view
- + Viewable from up to 7 feet inside your home
- + Quick, accurate and reliable identification of all visitors
- + Durable and maintenance free
- + Inexpensive
- + Easy installation
- + Available in 36 countries
- + Actual image supposed to be reversed

	DSDS/1000-MG	PLASTIC-GREY
	DSDS/1000-FB	PLASTIC-BRASS
	DSDS/1000-MB	PLASTIC- BLACK
<b>PRODUCT NUMBERS</b>	DSDS/2000-ALS	ALUMINUM-SILVER