

ELECTRONIC SAFE LOCKS



ESL10

AMSEC has been a pioneer in the electronic lock market. The ESL series locks offer unrivaled value in electronic safe access. The ESL10XL and ESL20XL locks have the best blend of features and function in Electronic Safe Locks. The ESL10XL is a basic keypad lock for home and office applications. The ESL20XL offers advanced features necessary for commercial applications.

ESL10XL Features:

- 1 User Combination
- Factory Reset Code
- (2) 9V Battery in Keypad
- 15 Minute Penalty Lockout
- Auxiliary Battery Pack Option



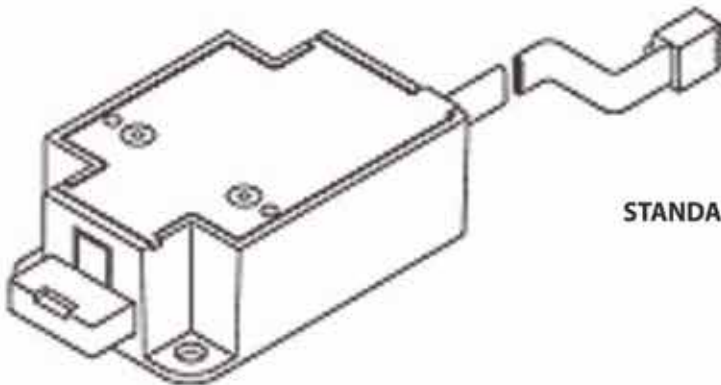
ESL20XL

Additional Features:

- Time Delay Mode, 1-99 Minute
- Multi-User Mode, 8 User Combinations
- Armored Car Time Delay Bypass Mode
- Dual Control Mode
- External Control Mode
- A/C Power Option
- Duress Mode Option (w/Exp. Mod.)

- AESL10XL-BLACK
- AESL10XL-BRASS
- AESL10XL-CHROME
- AESL20XL
- AESL15
- AESL5-BLACK
- AESL5-CHROME

- Matte Black
- IN BLACK
- ILLUMINATED
- ILLUMINATED



STANDARD BOLT