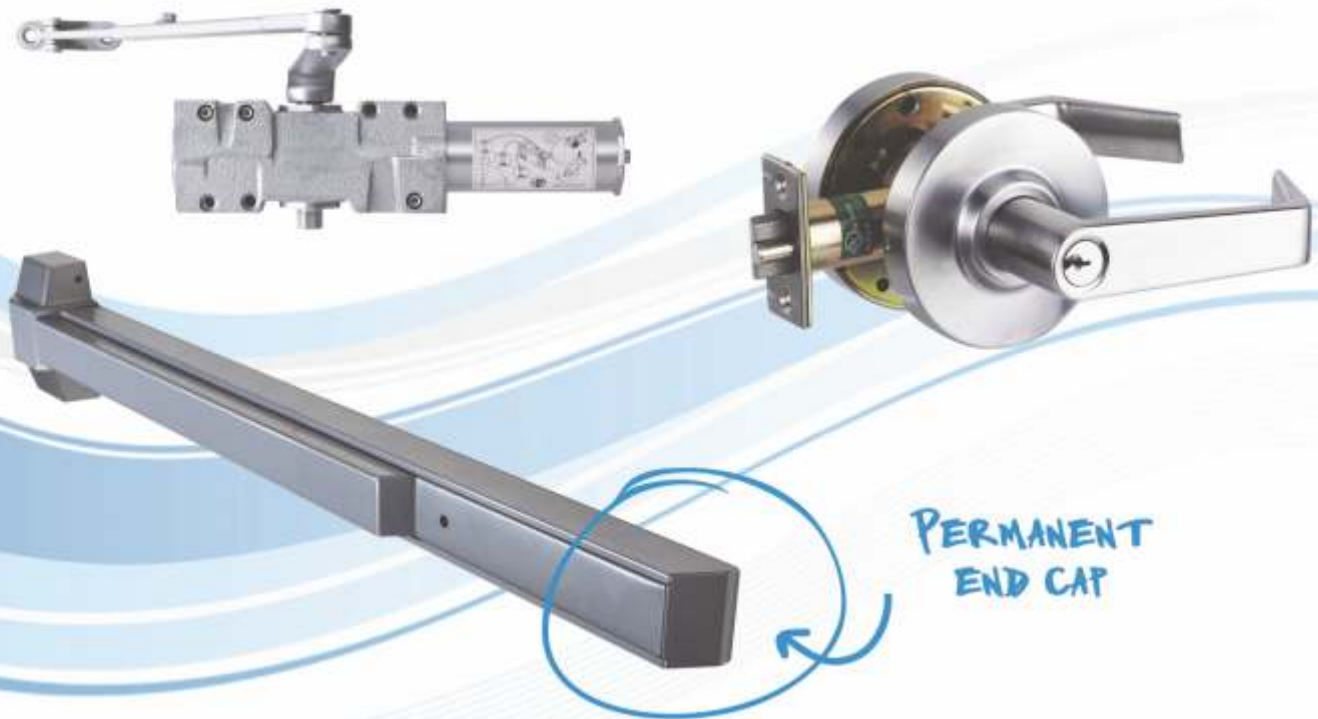


# Arrow's heavy duty Professional Replacement Products.



For more information, visit  
[www.arrowlock.com](http://www.arrowlock.com).

Competitively priced and easy to install, the MLX Lever, DC500 Closer and PEC910 Permanent End Cap Exit Device are efficient and economical options that deliver fast retrofitting and robust security features.

ASSA ABLOY, the global leader  
in door opening solutions

**ARROW**  
LOCK & DOOR HARDWARE  
**ASSA ABLOY**

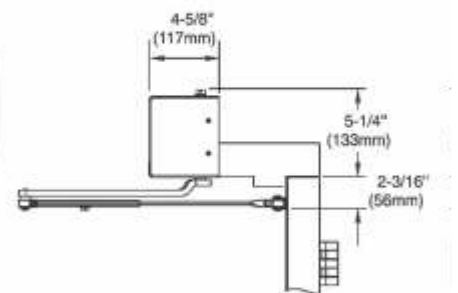
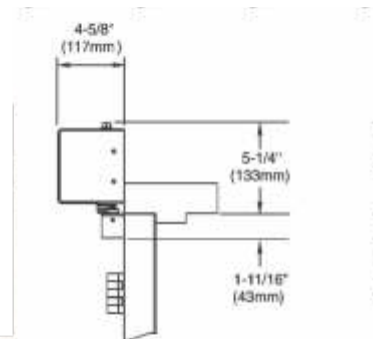
## 7900 SERIES

### POWERED DOOR OPERATOR

The Arrow 7900 Series powered door operators are low-energy operators which function as standard spring-force closers during close cycles when a door is opened manually, or if power is lost or turned off.

AW7936HRP-AL  
 AW7936HRP-DBZ  
 AW7936SRP-AL  
 AW7936SRP-DBZ

ALUMINUM FINISH  
 DARK BRONZE FINISH  
 ALUMINUM FINISH  
 DARK BRONZE FINISH



### RADIO FREQUENCY (RF1) KIT

- Radio Frequency Receiver (433 MHz)
- Activation switches not included

AW7710RK RADIO FREQUENCY (RF1) KIT



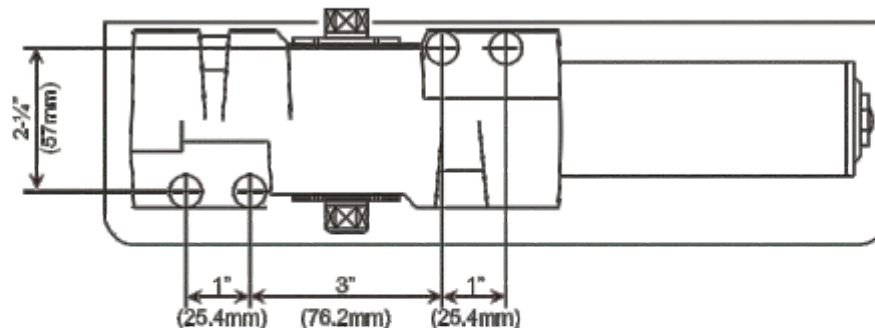
**DC500 SERIES**

**DC516**

- BHMA certified grade 1
- 10 year warranty
- Heavy duty cast iron body
- Hardened steel rack and pinion
- Full plastic cover standard
- Non-handed for regular, top jamb and parallel arm mount applications
- Supplied with self-tapping screws, sleeve nuts and thru-bolts
- DC516-2 has a heavy duty parallel arm with a stop feature for door openings between 90° and 110°
- DC516-3 has a heavy duty parallel arm with a stop and thumb turn hold open feature for door openings between 90° and 110°



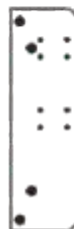
AWDC516-AL	NHO Arm w/PA	AWDC516-2-AL	HD Dead Stop NHO
AWDC516-DBZ	NHO Arm w/PA	AWDC516-2-DBZ	HD Dead Stop NHO
AWDC516-1-AL	HO Arm w/PA	AWDC516-3-AL	HD Dead Stop HO
AWDC516-1-DBZ	HO Arm w/PA	AWDC516-3-DBZ	HD Dead Stop HO



**DROP PLATES**



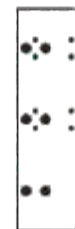
*Regular*  
AWDC500DP-AL  
AWDC500DP-DBZ



*Parallel*  
AWDC500DP1-A1  
AWDC500DP1-DBZ



*Top Jamb*  
AWDC500DP2-AL  
AWDC500DP2-DBZ



*Top Jamb Flush*  
AWDC500DP3-AL  
AWDC500DP3-DBZ

**DB SERIES**

**GRADE 2 DEADBOLT**

AWDB61-605-CS-KA4  
AWDB61-630-CS-KA4  
AWDBX62-605-CS-KA4  
AWDBX62-630-CS-KA4

SCHLAGE C KEYWAY  
SCHLAGE C KEYWAY  
GRADE 2 DOUBLE DEADBOLT  
GRADE 2 DOUBLE DEADBOLT





**QL SERIES**

**GRADE 1 LEVER**

- Free – Wheeling Lever
- 10yr warranty
- 2 screw install
- UL 3 Hour Listed

AWQL01-SB-26D	Passage
AWQL01-SB-10BP	Privacy
AWQ71-32D	Deadlatch 2 3/4"
AWQ73-32D	Springlatch 2 3/4"
AWQL72-SB-26D	Privacy
AWQL72-SB-10BP	Privacy
AWQL81-SB-10BP-CS-KD	Entrance
AWQL81-SB-26D-CS-KD	Entrance
AWQL81-SB-26D-IC	Entrance
AWQL81-SB-26D-LIC	Entrance
AWQL81-SB-26D-SIC	Entrance
AWQL81-SB-10BP-CS-KD	Entrance
AWQL81-SB-26D-IC	Entrance
AWQL82-SB-26D-IC	Storeroom
AWQL82-SB-10BP-CS-KD	Storeroom
AWQL82-SB-26D-CS-KD	Storeroom
AWQL82-SB-26D-LIC	Storeroom



AWQL82-SB-26D-SIC	Storeroom
AWQL87-SB-26D-IC	Classroom
AWQL87-SB-10BP-CS-KD	Classroom
AWQL87-SB-26D-CS-KD	Classroom
AWQL87-SB-26D-LIC	Classroom
AWQL87-SB-26D-SIC	Classroom
AWQL97-SB-10BP-CS-KD	Class Intruder
AWQL97-SB-26D-CS-KD	Class Intruder
AWQL97-SB-26D-IC	Class Intruder
AWX-QL97-03A-26D	Key Rotation Indicator Rose

**MLX SERIES**

**GRADE 2 LEVER**

- Free – Wheeling Lever
- 10yr warranty
- 2 screw install

AWMLX01-SB-26D	Passage
AWMLX01-SB-10BP	Passage
AWMLX72-SB-26D	Privacy
AWMLX72-SB-10BP	Privacy
AWMLX81-SB-03-CS-KD	Entrance
AWMLX81-SB-10BP-CS-KD	Entrance
AWMLX81-SB-26D-CS-KD	Entrance
AWMLX81-SB-26D-IC	Entrance
AWMLX81-SB-26D-SIC	Entrance
AWMLX81-SB-10BP-CS-KD	Storeroom
AWMLX82-SB-03-CS-KD	Storeroom
AWMLX82-SB-10BP-CS-KD	Storeroom
AWMLX82-SB-26D-CS-KD	Storeroom
AWMLX82-SB-26D-IC	Storeroom



AWMLX82-SB-26D-SIC	Storeroom
AWMLX87-SB-10BP-CS-KD	Classroom
AWMLX87-SB-26D-CS-KD	Classroom
AWMLX87-SB-26D-IC	Classroom
AWMLX87-SB-26D-SIC	Classroom
AWMLX87-SB-03-CS-KD	Classroom

**GL SERIES**

AWGL81-SR-26D-LIC	ENTRY LEVER MED/ASSA	G1
AWGL82-SR-26D-LIC	STORE LEVER MED/ASSA	G1
AWGL87-SR-26D-LIC	CLASS LEVER MED/ASSA	G1

**GL SERIES PARTS**

AWR20-32D	Deadlatch 2 3/4"
AWR21-32D	Deadlatch 2 3/4"
AWR22-32D	Springlatch 2 3/4"
AWR23-32D	Springlatch 2 3/4"



**ED910 SERIES**

**EXIT DEVICES**

AWED910-36-32D  
AWED910-36-AL  
AWED910-36-BRZ  
AWED910-48-32D  
AWED910-48-AL  
AWED910-48-BRZ

SATIN STAINLESS STEEL  
ALUMINUM (SPRAYED FINISH)  
DARK BRONZE (SPRAYED FINISH)  
SATIN STAINLESS STEEL  
ALUMINUM (SPRAYED FINISH)  
DARK BRONZE (SPRAYED FINISH)



**PERMANENT END CAP EXIT DEVICE**

AWPEC910-36-32D  
AWPEC910-36-AL  
AWPEC910-36-BRZ

SATIN STAINLESS STEEL  
ALUMINUM (SPRAYED FINISH)  
DARK BRONZE (SPRAYED FINISH)

**INSTALLATION TEMPLATE**

AWES9TMPLT-36-FIN

FOR PEC910 EXIT DEVICES



**BLANK PLATE TRIM**

AWSF01-AL  
AWSF01-BRZ

ALUMINUM (SPRAYED FINISH)  
DARK BRONZE (SPRAYED FINISH)



**DUMMY PULL PLATE TRIM**

AWSF02-AL  
AWSF02-BRZ

ALUMINUM (SPRAYED FINISH)  
DARK BRONZE (SPRAYED FINISH)



**STOREROOM PLATE TRIM**

AWSF12-CS-KD-AL  
AWSF12-CS-KD-BRZ

ALUMINUM (SPRAYED FINISH)  
DARK BRONZE (SPRAYED FINISH)



**STOREROOM/CLASSROOM LEVER PLATE TRIM**

AWSRX82-IC-26D  
AWSRX82-CS-KD-10B  
AWSRX82-CS-KD-26D  
AWSRX87-CS-KD-10B  
AWSRX87-CS-KD-26D  
AWSRX87-IC-26D

ED900 STOREROOM LEVER TRIM  
(Storeroom) DARK OIL-RUBBED BRONZE  
(Storeroom) SATIN CHROME  
(Classroom) DARK OIL-RUBBED BRONZE  
(Classroom) SATIN CHROME  
ED900 CLASSROOM LEVER TRIM

