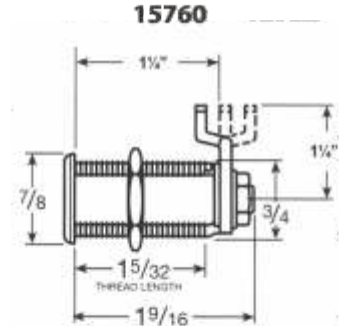
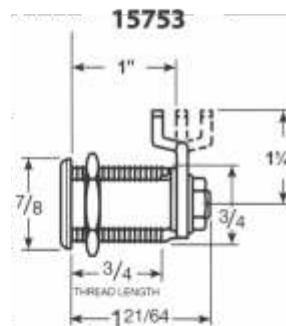
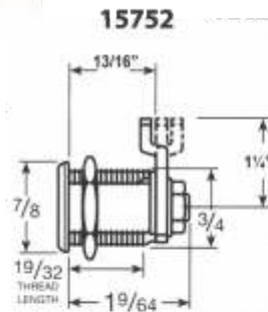
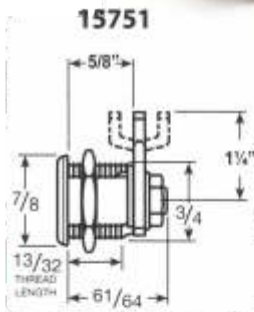


CAM LOCKS

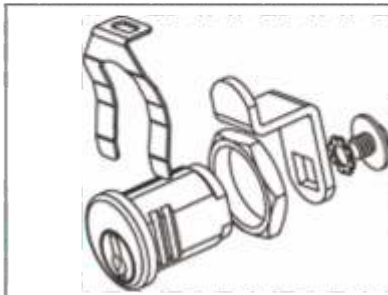


- Features:**
- Capable of being keyed alike and master keyed
 - Cam may be mounted in four positions. Regular rotation from 12 to 9 o'clock

CRB15751-KD-US26D
 CR15751-C2L-180-CAT167
 CR15752-C2L-180-CAT103
 CR15753-C2L-180-CAT-60
 CRK15760
 CRK15760A-KA-CAT-30



MAILBOX LOCK



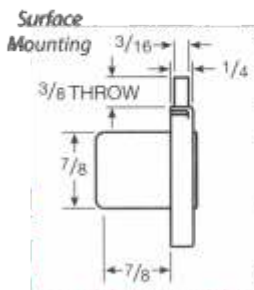
- Features:**
- Nut or clip mounted
 - 90° counter-clock-wise cam turn to open
 - Key retaining
 - Supplied with 1/2ve cams, two keys, mounting nut, mounting clip, lock washer and cam screw

CRMBL82010

DISC TUMBLER DRAWER LOCKS

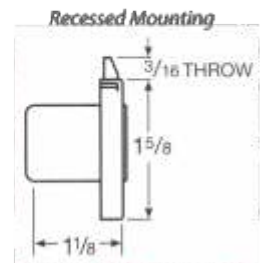
02068 DEAD BOLT

- Features:**
- Can be masterkeyed
 - Brass plated steel
 - To remove plug, insert key and rotate 90°. Insert end of small tool (e.g., paper clip) into access hole and depress retainer while pulling key and plug out



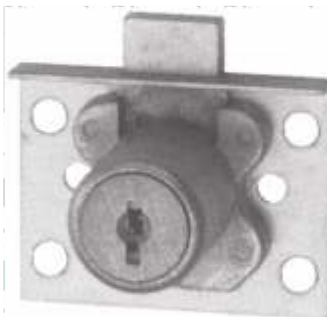
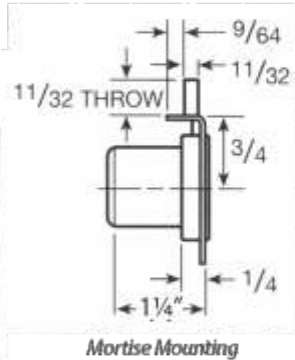
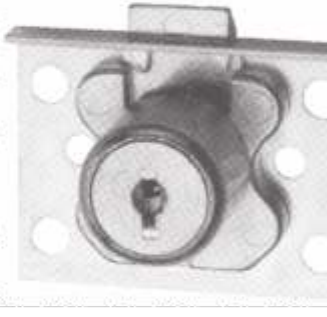
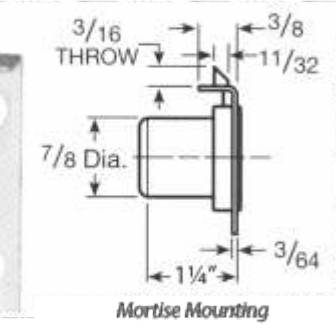
02068 1/2 LATCH BOLT (includes strike)

- Features:**
- Cannot be master keyed
 - Brass


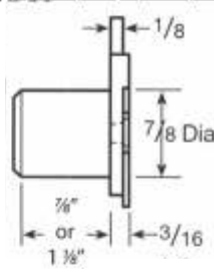
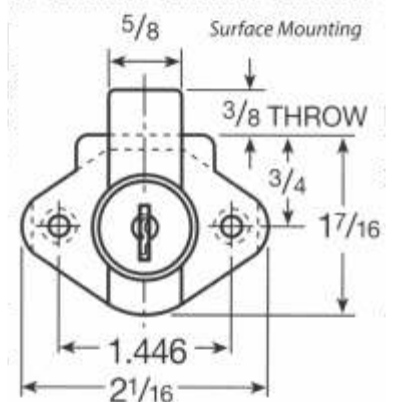


CR02068-7/8-US4-KD
 CR02068-1/2-7/8-US4-KA

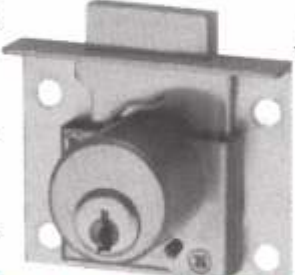
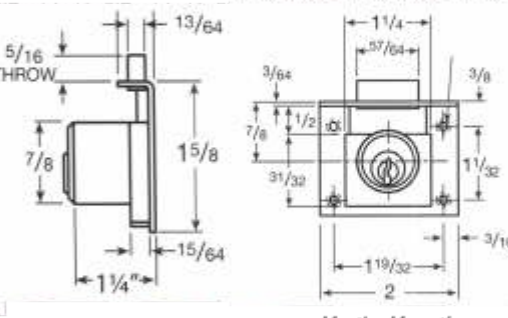

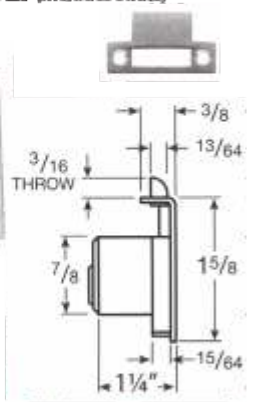
DISC TUMBLER DRAWER LOCKS

<p>02065 DEAD BOLT</p> <p>CR02065-7/8-US4 CR02065-7/8-US4-CAT-45</p> <p>Features: • Brass Plated Steel • 7/8" Can be Masterkeyed</p>   <p>Mortise Mounting</p>	<p>02065 1/2 LATCH BOLT (includes strike)</p> <p>CR02065-1/2-CAT30-7/8"</p>   <p>Mortise Mounting</p>
---	---

DISC TUMBLER DRAWER LOCKS

<p>02066 DRAWER LOCK</p> <p>Features: • Brass Plated Steel • Can be master keyed</p> 	<p>CR02066-1-1/8-US4 CR02066-1-1/8-US4-CAT9 CR02066-7/8-US4 CR02066-7/8-US4-CAT-30</p> 	<p>Surface Mounting</p> 
--	---	--

PIN TUMBLER DRAWER LOCKS

<p>0666 DEAD BOLT</p>   <p>Mortise Mounting</p> <p>Features: • Key can be removed in either locked or unlocked position on 0666 only • R1 & CR Keyways • All Brass</p> <p>CR0666-7/8-US4-KA</p>	<p>0666-1/2 LATCH BOLT (includes strike)</p>   <p>Mortise Mounting</p> <p>Features: • Brass, regularly furnished</p> <p>CR0666-1/2-7/8-US4-KA-Key 4T27660</p>
---	--

ELECTRICAL PANEL LOCK

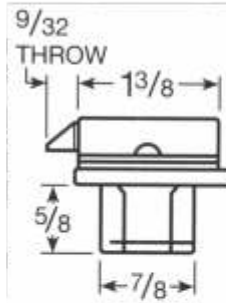


(Right Hand Shown)

Features:

- Disc Tumbler can be masterkeyed

CR15767-26D-CAT-60-LH
 CR15767-26D-CAT-60-RH
 CR15767-26D-WEM-1-RH



PADLOCKS

**Sesame Padlock-A/Weather
 BLK EPOXY**

Features:

- 10,000 possible combinations heel and toe locking
- All Brass Internal locking mechanism
- Automatic "0000" stop
- The combination is quickly and easily set



CRK436 1" SHKL
 CRK437 2 1/8" SHKL

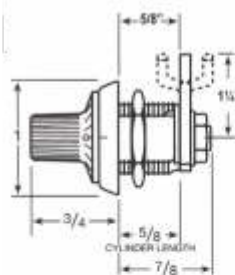
**Sesame Padlock-A/Weather
 US4**



CRK500-3/4" — 1" SHKL

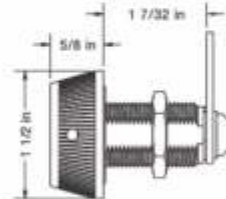
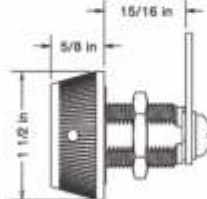
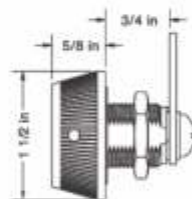
KEYLESS CAM LOCKS

**CK2113
 KEYLESS COMBINATION CAM LOCKS**



CRCK2113-26D-KD 5/8" Combination

DIAL COMBO CAM LOCK



CR39051 3/4"
 CR39052 15/16"
 CR39053 1 7/32"

KEY BLANKS

CR4193C-AR	Key Blank 5-Pin	CR5865-JVL	Key Blank 5-Disc	CR8632C-R1	Key Blank 4-Pin
CR5860-KS	Key Blank 5-Disc	CR5865-JVR	Key Blank 5-Disc	CR8658-JVL	Key Blank 6-Disc
CR5861-KM	Key Blank 6-Disc	CR8618C-CR	Key Blank 5-Pin	CR8658-JVR	Key Blank 6-Disc
CR5861-KS	Key Blank 5-Disc	CR8618C-VL	Key Blank 5-Pin	CR8687C-CR	Key Blank 6-Pin
CR5865-JR	Key Blank 5-Disc	CR8632C-CR	Key Blank 4-Pin		