

**FILE CABINET LOCKS**

**Features:**

- Four pin tumbler plug
- Die cast barrel with die cast bolt
- No. 5002LP has rectangular bolt
- Other models have round bolt
- Standard Finish - Satin Chrome
- Two keys furnished per lock

Lock No.	"A" Dim.	"Bolt" Dim.	"D" Dim.	"O.A." Dim.	"W" Dim.
<b>CEXP-19DC</b>	7/8"	1/4" dia.	N/A	1 3/4"	N/A
<b>N6-5001</b>	55/64"	9/32" dia.	1/2"	1 3/4"	1/8"
<b>C5001LP</b>	55/64"	9/32" dia.	5/16"	1 3/4"	5/32"
<b>C5002LP</b>	1 7/64"	27/64" x 9/64"	5/16"	2"	5/32"



CHCEXP-19DC-KD KD  
CHCEXP-19DC-5X75 KA



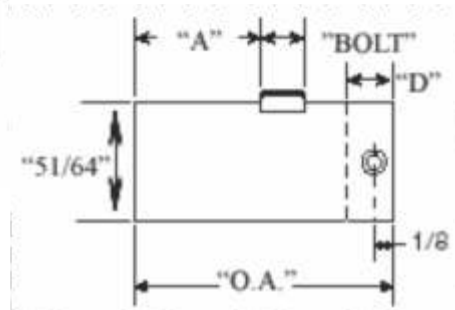
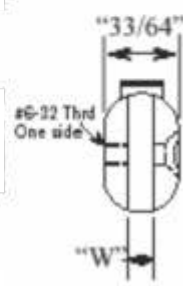
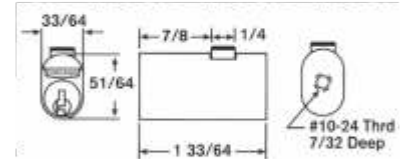
CHN6-5001-050-0-K91-JP KD  
CHN6-50010500K91TP1X20 KA  
CHN6-50010500K91TP3X5 KA



CHC5001LP-KD KD  
CHC5001LP-1X20 KA  
CHC5001LP-3X5 KA



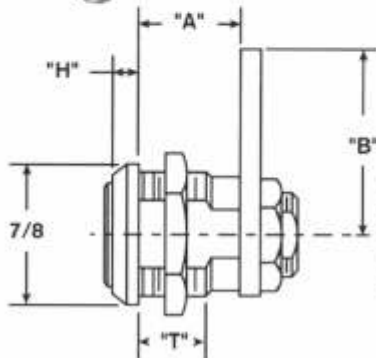
CHC5002LP-KD KD  
CHC5002LP-1X20 KA  
CHC5002LP-3X5 KA



**CAM LOCKS**

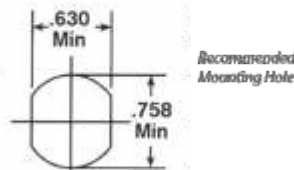
**SINGLE BITTED**

CHC3786-1289 5/8"



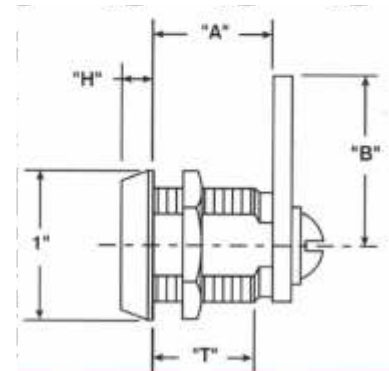
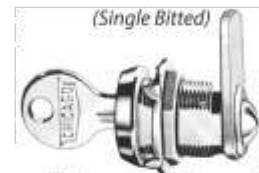
**Features:**

- Five disc tumbler plug in 3/4" diameter
- Die cast barrel with two lats - 5/8" across
- Key and cam rotation 90° from locked (12 O'clock) to unlocked (3 O'clock) position with keypull in locked position only
- Straight cam furnished is 1/8" thick X 3/4" wide
- Standard Finish - Polish Nickel
- Two keys furnished per lock



Lock No.	"A" Dim.	"B" Dim.	"H" Dim.	"T" Dim.
<b>C3786</b>	5/8"	1 1/2"	13/64"	13/32"
<b>C1701</b>	13/16"	1 1/2"	13/64"	11/16"
<b>C1704</b>	1 1/2"	1 1/2"	13/64"	1 1/2"

CHC1701-1454 9/16"  
CHC1704-1289 1 1/2"



## CAM LOCKS — continued



**Keyway D137-CLC  
C4152**

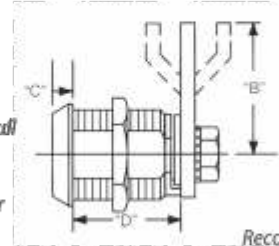
CHC4152-KD	15/16"
CHC4152-PL505	15/16"
CHC4153-KD	11/16"
CHC4153-PL505	11/16"
CHC4153-7302	11/16"
CHD137-CLC	Keyblank

### Ace II® Universal Function Locks

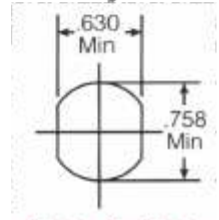
**Features:**

- Ace II cylinder - 3/4" diameter with 2 flats - .625 across
- All brass components and brass outer barrel
- Center plug contains anti-drill pin for added security
- Standard key and cam rotation is 90° from locked (12 O'clock) to unlocked (3 O'clock) position with keypull in locked position only
- Standard Finish - Polish Nickel
- Straight cam furnished with "B" dimension of 1 1/8" for vertical or horizontal mounting
- Two keys furnished per lock with shake-proof washer and hex nuts
- Number stamped on key tag, not on lock

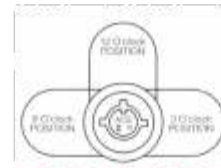
### C4152 & C4153



**Recommended  
Mounting Hole**



Lock No.	"B" Dim.	"C" Dim.	"D" Dim.
<b>C4152</b>	1 3/8"	13/64"	15/16"
<b>C4153</b>	1 3/8"	1/4"	11/16"

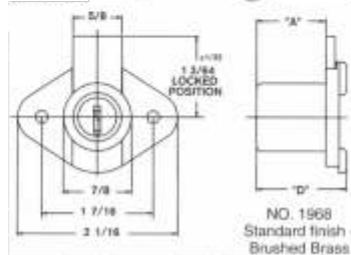


## BOLT TYPE LOCKS

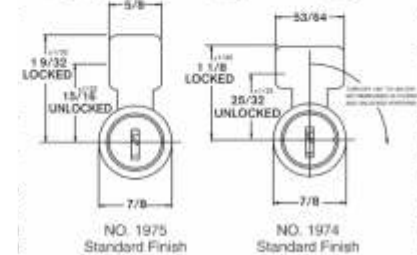
### Bolt Type Locks

- Five disc tumbler
- Removable plug feature
- Steel locking bolt
- Two keys furnished per lock

Lock No.	"A" Dim.	"D" Dim.
<b>C1968</b>	57/64"	1 5/32"
<b>C1974</b>	19/32"	27/32"
<b>C1975</b>	21/32"	57/64"



NO. 1968  
Standard Finish -  
Brushed Brass



NO. 1975  
Standard Finish  
Satin Chrome

NO. 1974  
Standard Finish  
Satin Chrome

**C1968**

CHC1968-KD	57/64"
CHC1968-1289	57/64"
CHC1968-1454	57/64"

**C1974**

CHC1974-KD	19/32"
CHC1974-1289	19/32"
CHC1974-1454	19/32"

**C1975**

CHC1975-KD	21/32"
CHC1975-1454	21/32"

## POP-OUT 'T' HANDLE

### 4200 T-Handle



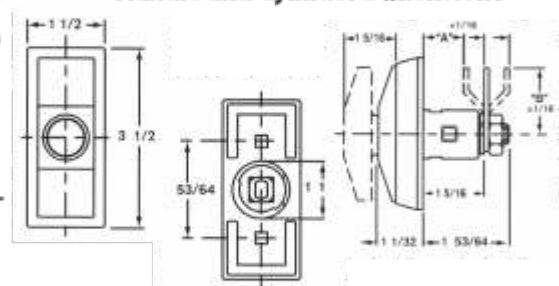
**Keyway  
D137-CLC**

### 4200 Series Retrofits "T" Handle

**Features:**

- Actual Handle ships with Ace Cylinder and 2 keys
- Less Cam
- Increases security for limited spaces
- Accepts standard and long cylinder locks which meet NAMA dimensional standards
- Available in 1/4 turn, clockwise or counter-clockwise
- Locking cams can be manufactured per customer requirement
- Available 90° and 180° rotation
- Textured Finish for scratch resistance
- Standard Finish - Chrome

### Handle and Cylinder Dimensions



CHR242000010K90JI 4200 T-Handle KD W/ACE2K

## SLIDING DOOR LOCKS

### C1770 SINGLE BITTED

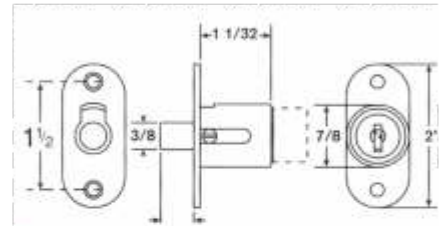


CHC1770-KD Sliding Door Lock

### SLIDING DOOR LOCK

- Five disc tumbler plug in 7/8" diameter
- Die cast barrel
- No. 1770 utilizes a spring bolt which locks by pushing the cylinder in and released by turning the key 90° from locked (12 O'clock) to unlocked (3 O'clock) position
- Keypull in locked and unlocked positions
- Standard Finish - Satin Chrome
- Mounting plate is 5/64" x 7/8" x 2" with 1-1/2" between mounting hole centers
- Furnished with two keys per lock

### C1770 Dimensions



1 1/2 At Locked Position

## SWITCH LOCKS

### C2174 Series DOUBLE BITTED



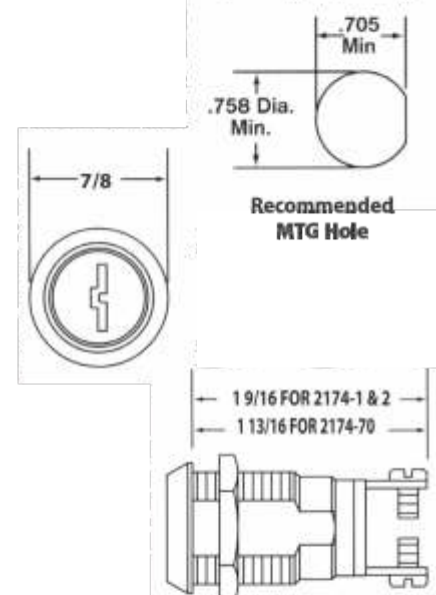
CHC2174-1DC-KD	1 Pull
CHC2174-1DC-2001	1 Pull
CHC2174-2DC-KD	2 Pull
CHC2174-2DC-2001	2 Pull
CHC2174-2DC-2007	2 Pull
CHC2174-70DC-KD	Momentary
CHC2174-70DC-2001	Momentary
CHC2174-70DC-2007	Momentary
CHC2174-70DC-2126	Momentary

### SINGLE POLE, SINGLE THROW SWITCH LOCKS

- Features:**
- Double bitted assembly with eleven crisscross blade tumblers
  - Lock operation same as 4073 Series
  - Contact configuration: SPST
  - 7 amps (resistive) @ 125 Volts A.C.
  - 7 amps @ 28 Volts D.C.
  - Electrical Life: 6,000 cycles @ Max. Load
  - Contact resistance: 50 milli ohms initial maximum
  - Standard Finish - Bright Chrome
  - Two keys furnished per lock
  - Switches are U.L. Recognized

### Double Bitted Keyswitches - SPST

Lock No.	Keypull	Contact
C2174-1DC	OFF Only	Maintaining
C2174-2DC	OFF & ON	Maintaining
C2174-70DC	OFF Only	Momentary



### C4073 ACE II

Keyway D137-CLC

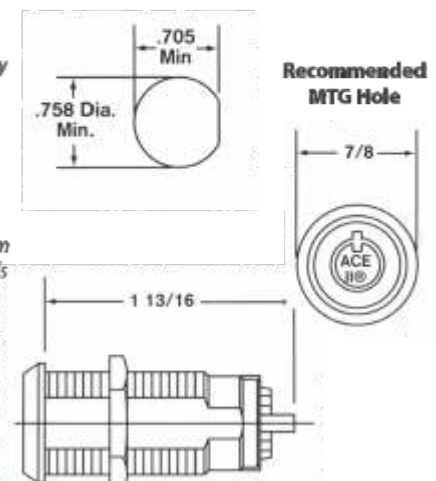
CHC4073-2DC-KD	2 Pull
CHC407370DC-PL927	Momentary
CHD137-CLC	Keyblank

### SINGLE POLE, SINGLE THROW SWITCH LOCKS

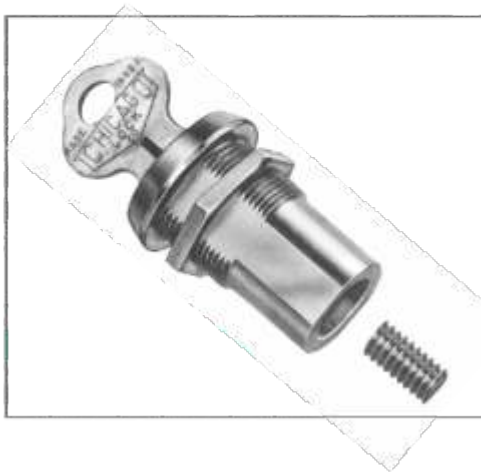
- Features:**
- Patented Ace II Lock Assembly
  - Maintaining contact switch operated by manually rotating inserted key 90° clockwise from open to closed position
  - Contact configuration: SPST
  - 7 amps (resistive) @ 125 Volts A.C.
  - 7 amps @ 28 Volts D.C.
  - Electrical Life: 6,000 cycles @ Maximum Load
  - Contact resistance: 50 milli ohms initial maximum
  - Request Standard ESP-EL1000 for complete details
  - Standard Finish - Bright Chrome
  - Two keys furnished per lock
  - Switches are U.L. Recognized

Lock No.	Keypull	Contact
C4073-2DC	OFF & ON	Maintaining
C4073-70DC	OFF Only	Momentary

### C4073 Dimensions



## SCREWTYPE LOCKS



*Years of lock engineering and manufacture by one of the oldest lock companies in the middle west are built into CompX Chicago locks. Experience, and organization of skilled personnel and the best of materials make Chicago locks what they are.*

*The threaded rod is anchored to base of machine on these Screwtype, Gum Ball locks.*

### Screwtype Gum Ball Lock Tapped 1/4" x 20

CH3274-40-KA  
CH3274-40-KD

## LOCK ACCESSORIES



CHD9094 Single Bitted Service Kit



CHD9655-WC Weather Cover

### D9655-WC Weather Cover for Camlocks

**Protect Switch Locks and Cam Locks from the elements with this economical, easy to install weather cover.**

- Quality construction includes:*
- Chrome plated zinc die cast cover.
  - Stainless Steel mounting ring.
  - Permanently installed rubber seal.
  - Positive spring closure to insure seal integrity.

## KEY BLANKS

CHDK-100-MH	CHDK-4-W
CHDK-101-H	CHDK-5
CHDK-102-H	CHDK-501
CHDK-103-H	CHDK-502
CHDK-104-H	CHDK-503
CHDK-2-W	CHDK-504
CHDK-35	CHDK-9
CHDK-35-M	CHDK-P-1
CHDK-39	CHDK-P-2
CHDK-4	CHDK-P-3
CHDK-4-L	CHDK-P-9
CHDK-4-R	CHD137-CLC KEY BLANK ACE II