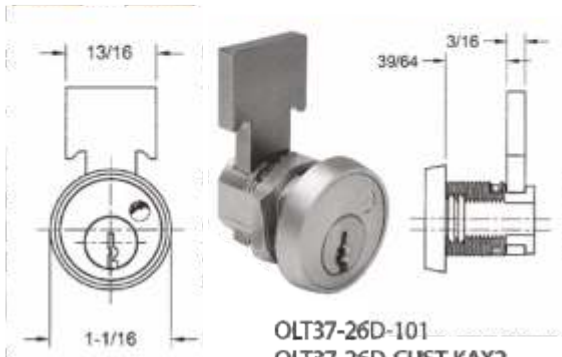


LOCKS — continued

T37 DRAWER LOCK

T-Bolt Metal Drawer Lock Re-Keyable Pin Tumbler



- OLT37-26D-101
- OLT37-26D-CUST-KAX2
- OLT37-26D-CUST-KAX3
- OLT37-26D-CUST-KAX4
- OLT37-26D-KD

SFIC FILE CABINET LOCK



INCLUDES: Plastic actuator and red caution flag when unlocked, vertical slot, round spring bolt.
TYPICAL USAGE: Metal file cabinet and medical cart.
ACCEPTS: Best, Arrow, Falcon, or equivalent IC cores. Fits 6 or 7 pin cores.

OL724VR-26D



OL725RL-DR-LH-26D
IC RIM LATCH LH DOOR
IC CABINET LOCK L/CORE

DCN CAM LOCK

Compatible Keyway Re-Keyable Pin Tumbler

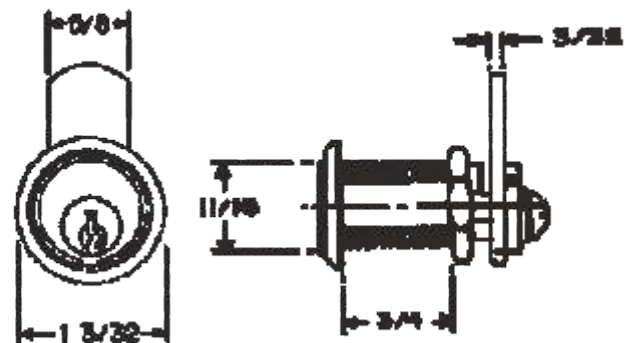
MATERIAL:
Solid Brass Case - Brass Plug - Steel Cams

FEATURES:

- D4291: 4 Pin Tumbler / Re-Keyable to 5 Pin System
- Brass Pins - .101 Pins
- Cylinder Length: CN1/CR-1 1 1/8" - CN2/CR-2 1 3/8"
- Includes: Pronged Wood Washer, Trim Ring and 2 Straight Cams
- Locksmith Package includes: 6 cams: 2 straight, 2 inbent & 2 outbent.
- Material Thickness: 3/4" & 7/8"

RE-KEYING INSTRUCTIONS

1. Remove cam and screw.
2. Turn lock upside down.
3. Take sharp tool and push retainer staple out.
4. Quarter turn keyway and place follower tool into back of cylinder plug.
5. Push follower through lock removing plug for re-keying.



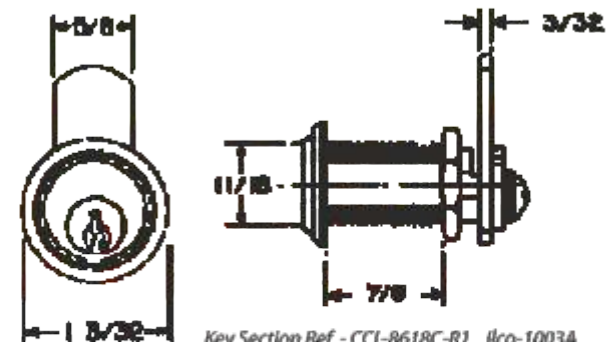
Key Section Ref. - NATL-D4291 lico-1069L

- OLDCN1-26D-KD
- OLDCN1-26D-915
- OLDCNP-100-LC 3" Cam
- OLDCNP-500-ARP Stabilizer Plate

DCR CAM LOCK



- OLDCR1-26D-4T2
- OLDCR2-26D-4T2



Key Section Ref. - CCL-8618C-R1 lico-1003A

#721 IC CORE (- Continued)



Door Lock Body Medeco/Yale IC
OL931DR-26D



Drawer Lock Body Medeco/Yale IC
OL931DW-26D

ACCESSORIES

STRIKES FOR CABINET LOCKS



OL12-1-26D
Angle Strike

OL12-2-26D
Heavy Duty Angle Strike



OL07S-26D
Slotted Strike

OL10-054
Bar Strike 1/4"



OL12-4-ZP
Frameless Strike

OL10-055
Bar Strike 1/2"



OLT54C-26D
T-Knob Cylinder Replacement Kit

For C8154/C8155 Uncoded



Reinforcing Trim Spacer

For 1 1/8" Diameter Cabinet Locks

OLETS1-125-26D *1/8" Large Pin Dia.*

OLETS1-250-26D *1/4" Large Pin Dia.*

OLTR200A-32D *Trim Collar Assmt. Pack (1/8", 1/4", 3/8")*

Reinforcing Trim Spacer

For 1 1/8" Diameter Cabinet Locks

OLETS2-125-26D *1/8" Large Pin Dia.*



Template for Reinforcing Trim Spacer

OLETST1-26D

External metal 1/4" reinforcing trim spacer

Through-bolt mount



Spacers for Cabinet Locks

OLWP21 *Small Pin Diameter*

OL10-350 *Large Pin Diameter*

OL777IC-DRK-26D

Schlage Ic Door Lock

OLDCN1-26D-KA-51004

Cam Lock 1 1/8" National